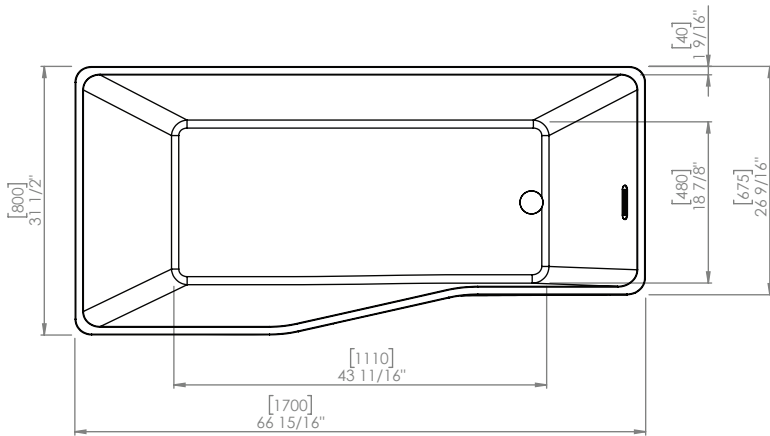




A&E Bath and Shower  
 service@aebath.com  
 9181 Boivin, Lasalle, QC, Canada, H8R 2E8

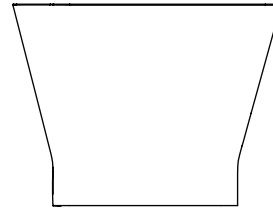
Model Modèle: **BT-905-67-NF**  
 Freestanding bathtub *Baignoire autoportante*



**TOP VIEW VUE DE DESSUS**



**FRONT VIEW VUE DE FACE**



**SIDE VIEW VUE DE CÔTÉ**

\* Dimensions may vary +/- 1/4" (6mm) / Les dimensions peuvent varier de +/- 1/4" (6mm)

gallons to overflow /	84 gal.
packaging dimension /	69-5/8x34-1/4x25-1/2(in)
approximated weight /	123.5lbs
weight with water /	824.9lbs
bathing well at sump /	43-11/16x18-7/8(in)
bathing well at rim /	63-3/4x28-3/8(in)

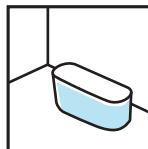


**Compliance Certifications:**

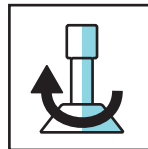
Uniform Plumbing Code  
 National Plumbing Code of Canada  
 CSA B45.5-17/IAPMO Z124-2017



Pure acrylic construction reinforced by fiberglass  
*Construction en acrylique renforcée de fibre de verre*



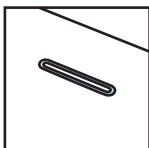
Freestanding installation  
*Installation autoportante*



Adjustable feet  
*Pattes ajustables*



Chrome drain included  
*Drain chrome inclus*



Integrated chrome linear overflow  
*Pattes ajustables*



CUPC certified  
*Certifié CUPC*